

# Classic Series



## Classical Hotel Lock

Popular style for hotel use

304# Stainless steel material

High security level management

Friendly software, easy management system

Long battery life for whole lock for daily use

Strong and die casting mortise ensure the security

## PROXIMITY RFID CARD LOCK SYSTEM



304# DRAWBENCH TREATMENT  
ADVANCED APPEARANCE



304# HANDLE COLLAR  
STRONG AND DURABLE EVEN UNDER  
HIGH HUMIDITY AREA



304# CYLINDER COVER  
EASY TO TAKE WITH MAGNET



DRAWBENCH TREATMENT HANDLE  
304# STAINLESS STEEL MATERIAL



NICKEL PLATING THUMB KNOB  
KEEP YOUR SAFE AND COMFORTABLE SLEEP

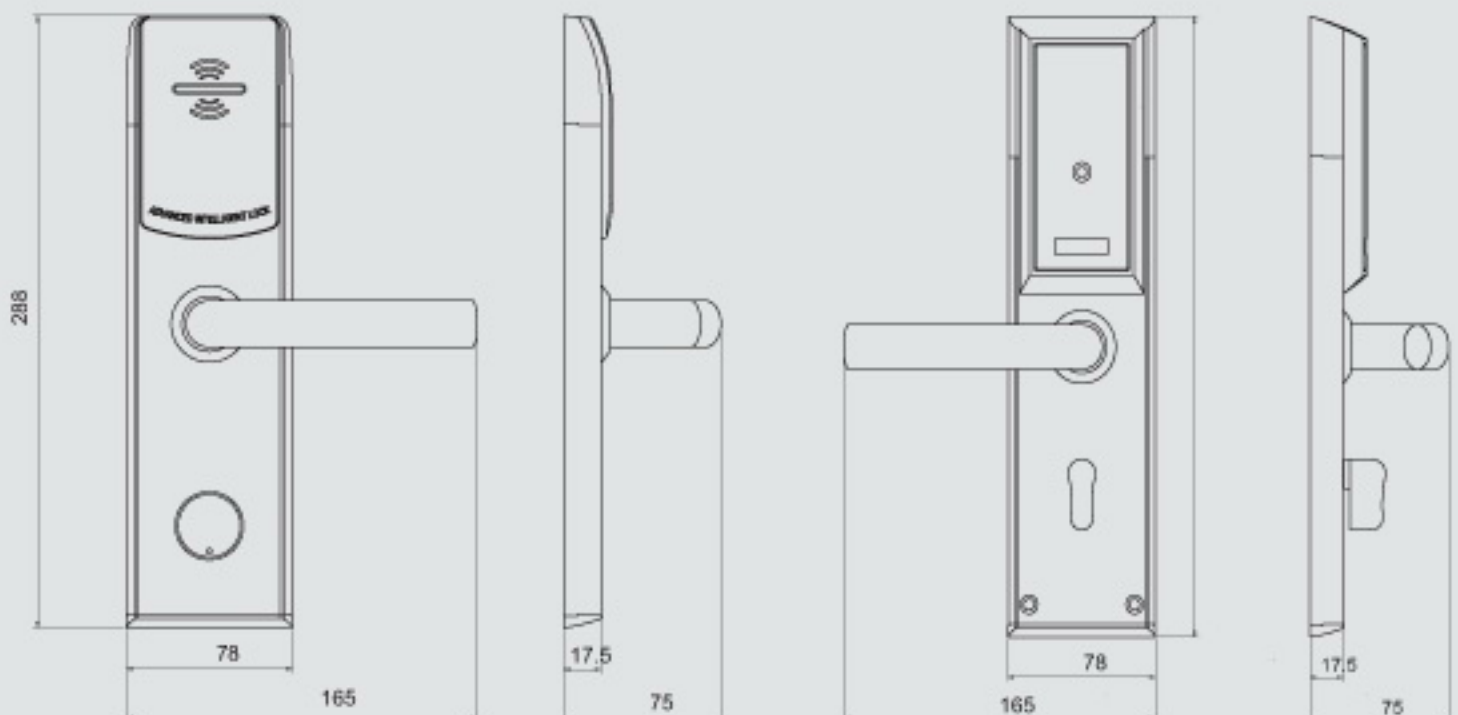


ABS READER WITH LIGHT TIP  
FAST READING SPEED

### Features

- Proximity Card technology: 13.56MHZ with 16 sectors inside.
- Strong 5-latches ANSI mortise with 300000 times life test.
- Stainless steel material for the handle and reader parts, strong and durable for long years use.
- More security: encrypted card and card encoder to prevent the hack into the lock memory
- Convenient: Portable LCD handset can set the room No. adjust time and audit trial opening history
- Friendly software help you to manage the whole system with easy operation and daily maintenance.

### Dimension



## High Security with RFID

RFID or Radio Frequency Identification ensure our locks the ability of reading and writing to the guest and staff cards without them touching the lock. Simply place the card within 5cm of the reader and the lock will open. This technology has several advantages over of all ages.

## Comfortable to Live

you will find our lock is more intuitive, the keycard can be offered to the lock from any direction and with fast reading speed.

## Read and Write

When a card is used to open one lock, it can be written and read on the reader by our software.

**Guest Cards** - if a lock does not open when a guest card is used; The reason for this is the written information inside the card. This can be read by the management card in the hotel and problem can be immediately solved.

**Staff Cards** - Different permission is authorized to the staffcard on daily use, this would include the deadlocking room or make cleaning time.

**Portable LCD Handset** - One advanced device to manage the whole system. what you can do with it: configure the room No. to the lock; adjust the time inside the lock; audit trial opening records; check card or lock information; Issue guest card when there is failure on the computer of software system; Make checkout for guest on emergency condition.



## Different Level Management

With the use of RFID cards the master key structure for your staff can be configured to match your operating requirements. Each staff member can be issued a card that only gives them access to areas that their job demands. Should the need arise these can be changed on an individual basis, by you without the need to reprogram any of the locks.

## Friendly Tips

E200 just uses four standard AA batteries as all systems eventually these will run down, It has intelligent way to warn your staff of the impending problem; First the red light will flash when a guest card is used on the lock, but when the power is too low, when a master card or floor card is used on the lock, the master cards can not open the door, but the guest card can still open more than 150 times, this will ensure the guest can enter and give the warn to the management of the hotel to change batteries in time!

# Software System Introduction

Card Type	Description
Guest Card	These can be programmed to open an individual room or 3 more rooms or areas within the property. For example meeting areas can be added to a meeting planner's card or a club floor or lounge to loyalty member.
Emergency Card	Open all of the locks and access points in the property. This card will also override the deadbolts in the guest room locks; once this card has been used the door remains unlocked until it is reset.
Master Card	This card can open every lock in the property even the guest live in and when the dead bolt is on use.
Building Card	These are used by staff to gain access to rooms and areas of the property. With our advanced software setting, it can be set to access the rooms that belong this property, but it can not open the door that the dead bolt is on use.
Floor Card	This card is for service man to open the door to make up room in valid time range, but it can not open the door when the guest locked inside. This offers the safe and comfortable sleep condition for the guest.
Multi-door Card	This card is to open more than 255 rooms and 8 area locks for special condition that will require to open more doors by one user card.
Guest Stop Card	Issued to forbid the lost guest cards before the time of this card.
Area Card	Issued to open more locks that belong to the specified area.
Data Card	Used to down load the opening data from the locks. Quick and easy to use and allow the locks to be read with the card,each data card can download 330 records. And it is also available to use our portable LCD Handset to download the records directly. It is very simple and convenient to manage the system with this device.

## Basic Function

Reader Technology:	Radio frequency induction,Proximity Card
Available Card	ISO14443 (RFID) Type-A Mifare Standard (Classic) 4KB/1KB , Model :S50/S70
Standard Handles	L handle, 304# stainless steel
Finishes	Stainless steel color, PVD golden color
Power Supply	4pcs AA Alkaline batteries
Audit trail lock events	990 records (Can be downloaded by LCD handset or Data card)
Mechanical key override	Backup on emergency
Software	Microsoft Access /SQL 2008 Database
OS	Windows 7 32 bits/64 bits, support windows 10 system
Auto Backup Function	Available
Language	Multi-language is available
Card Encoder	ABS material, USB communication, V2.0
POS Interface	Full function SDK DLL for integration with PMS
Auto Checkout Function	Available
Pre-check in Function	Available